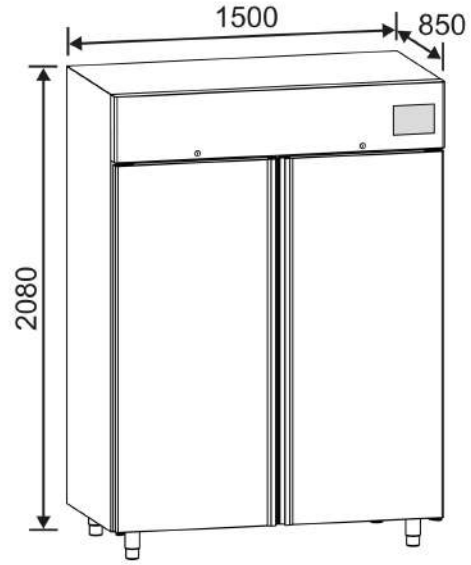




# LR 1365 Laboratory Refrigerator



Color: **White**

Panel: **LITE**

- LED backlit control panel
- Temperature display resolution 0,1°C
- Audible and visual alarms
- Dry contact for alarms signal remoting

## TECHNICAL FEATURES

Temperature 0°C / +15°C

Refrigeration Type Forced air

Defrost Type Automatic, with heating resistance

Condensate Evaporation Automatic

Refrigerant Gas R290

Climatic Class +16°C / +43°C (T)

Gross Capacity (liters) 1500

Net Capacity (liters) 1365

External Dimensions (W x D x H mm) 1500 x 850 x 2080

Packaging Dimensions (W x D x H mm) 1560 x 940 x 2240



# LR 1365

## ELECTRICAL DATA

Power Supply (V/ph/Hz)	220-230/1/50
Power Plug	Type F

## STRUCTURAL FEATURES

Structure	Upright
External Material	Anti-bacterial coated steel white colour
Internal Material	Stainless steel 18/10 AISI 304
Insulation Thickness (mm)	75
Insulated Door	Yes
Automatic Door Closure	Yes
Internal Lighting Type	LED lamp under the front panel
Shelves Number	6
Shelf Material	Wire steel with white colour plastic coating
Shelves Dimensions (W x D mm)	530 x 650
Shelf Adjustment Step	13 / 13
Shelf Adjustment Step Range (mm)	89
Maximum Shelf Quantity	13 / 13
Drawers with extractable slides	Optional
Drawer Adjustment Step	13 / 13
Drawer Adjustment Step Range (mm)	89
Maximum Drawer Quantity	13 / 13

## CONTROL PANEL

Display Type	LED
Access Password	No
Probe Type	Nr. 2 NTC



# LR 1365

## CONTROL PANEL

Alarm Signaling	Acoustic and visual
Alarm Indications	Codes
Adjustable High/Low Temperature Alarm	Yes
Adjustable Door Open Alarm	Yes
Power Loss Alarm	Yes
Probe Fault Alarm	Yes
Acoustic Alarm Silencing Options	Yes
Calibration	Yes
Alarm Memory	10
Dry Contact	Yes (NC)

## ACCESSORIES

Open wire shelf

Stainless steel open wire shelf

Chromium plated open wire basket

Stainless steel drawer

Plastic drawer divider

Drawer Perspex front shield

Castors Ø 95 mm, 2 with brakes

Door key locking

Electronic door lock (available for ADVANCED control panel only)

Temperature chart recorder

Ballasted sensor for simulation of the product temperature alarm (available for ADVANCED control panel only)

Internal electrical socket

Porthole with cover Ø 18 mm

Porthole with cover Ø 45 mm

Internal spark-proofing



# LR 1365

## ACCESSORIES

Back-up cooling unit (available for ADVANCED control panel only)

UVA LED stripe for air sterilization

Safety anti-freezing thermostat

Temperature uniformity and stability kit ( $<\pm 2^{\circ}\text{C}$ )

Refrigerant R452a

GSM/GPRS telephone dialer

Voltage 230V/1ph/60Hz

Voltage 115V/1ph/60Hz

Plug type A

Plug type B

Plug type G

Plug type I

Wooden crate packing

IQ Documentation

OQ Documentation

PQ Documentation